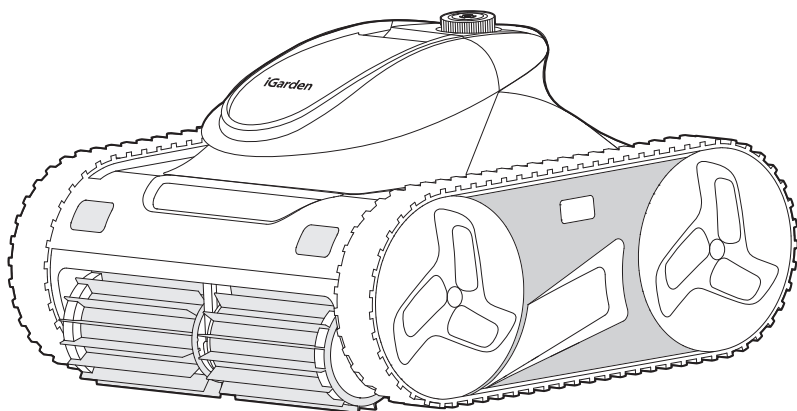


iGarden



iGarden Pool Cleaner KN Series

— USER MANUAL —

Please read this manual carefully before installing and operating your pool cleaner, and keep this manual for future reference to ensure safe and effective use.

Table of Contents

1 Introduction 01

2 Important Safety Information 01

2.1 WARNING

2.2 Operating Conditions

3 What's in the Box 03

4 Getting Started 03

4.1 Charge

4.2 Assemble Parts

4.3 Quick Start

5 Learning the Knob Control 05

5.1 Knob Control Overview

5.2 Knob Control Details

6 Connect to Wi-Fi 07

7 Care and Cleaning

08

7.1 Filter Box

7.2 Impeller

7.3 Caterpillar Track

7.4 Roller Brush

8 Troubleshooting

11

9 Cleaner Specifications

14

10 Regulatory & Compliance

15

11 Warranty

16

12 Support16">

1 Introduction

Thank you for purchasing the iGarden Pool Cleaner KN Series. Reading and following the instructions provided is crucial for a better user experience.

2 Important Safety Information

2.1 WARNING

Failure to comply with the instructions can result in injury, damage to the product or other property.

- **Designed for pools.** Use only to clean your pool. The cleaner is intended for residential use.
- **Children.** Keep children away from the cleaner. Individuals with reduced physical or mental abilities should not use it without supervision.
- **Proper installation is required.** Please follow the country's local installation standards. Damage from an incorrect installation is not covered by the warranty.
- **Do not enter the pool while the cleaner is running.**
- **Charging.** Use only the power supply and charge at least 3.5 meters away from the pool. If you notice anything unusual while charging, for example a strange smell, unplug it immediately and contact us.
- **Cleaning and maintenance.** Turn the cleaner off and unplug it before cleaning and maintenance. Only use original replacement parts from the manufacturer.
- **Control panel.** Make sure your hands are dry when using the control panel.
- **Repair.** Do not attempt to repair the device yourself, please contact retailer instead.
- **Using conditions.** The cleaner is recommended to be used in water deeper than 40cm to protect its motor. When the battery level is below 40%, this cleaner will switch to floor-only cleaning mode. While cleaning the pool floor, it cannot traverse cross-slopes steeper than 30 degrees. Do not run the cleaner while adding chlorine to the water. Do not use this product during thunderstorms or bad weather.
- **Storage.** Do not expose this product to rain or direct sunlight for extended periods. Clean and dry the product after each use before storage. For long-term storage, unplug and neatly store the charger cable to prevent damage. Keep your cleaner in a cool, dry place with

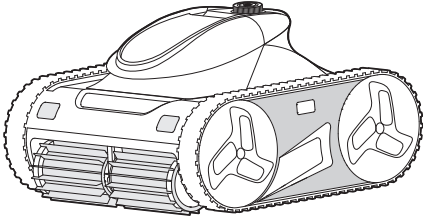
temperature between -10 to 45°C and humidity between 30% to 70%. Fully charge it every 3 months to protect the battery.

- **Handling.** Lift the cleaner out gently. After removal, keep it in an upright position to drain water before storing it flat. Never lift the cleaner out of the pool by a slide rod, as it may damage the product.
- **Error alert.** Lights on control panel will flash red if error occurs. Please restart the cleaner. If errors persist, see Troubleshooting.

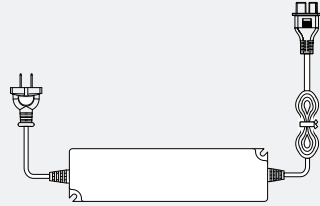
2.2 Operating Conditions

Parameter	Range
Working Water Depth (m)	1-2.5m
Pool Water Temperature	4-35°C
pH Level	7.0-7.8
Sodium Chloride Concentration (PPM)	≤5000
Chlorine Content (PPM)	≤4

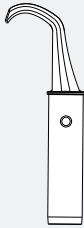
3 What's in the Box



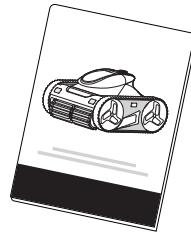
iGarden Pool Cleaner KN Series



Charger



Retrieval Hook



User Manual

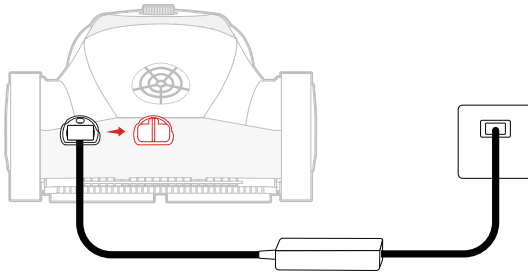
Notes:

The packaging of this product includes the following items. If there is any damage or missing parts, please contact the retailer.

4 Getting Started

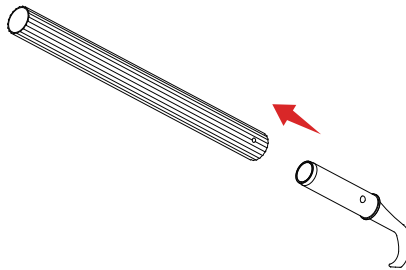
4.1 Charge

Uncap and plug the included charger into a power outlet (100-240V). Three LEDs on = Fully Charged, unplug and cover the cap back.



4.2 Assemble Parts

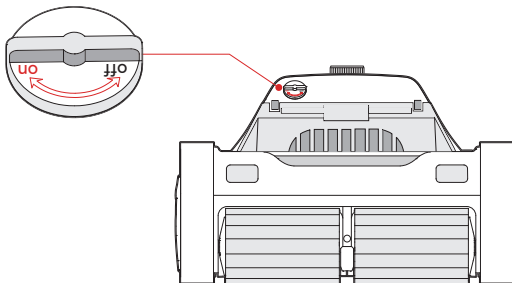
Attach the hook to the extension pole (Not included in the package).



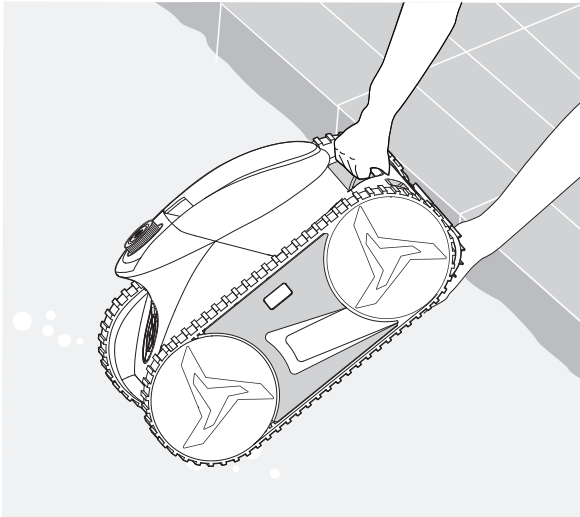
4.3 Quick Start

Remove the filter basket by lifting its hand.

See power switch at the front and turn it ON.



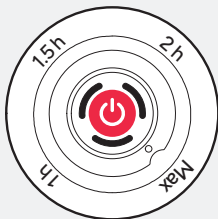
Place the robot in water, hold it and rotate the cleaner to let the air escape. See image below:



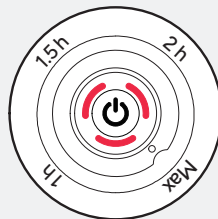
 **Notes:**

Make sure it is submerged underwater within 3 minutes after turning on, or it will automatically stop.

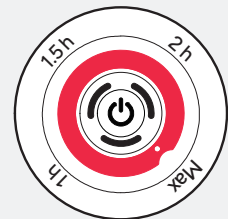
5 Learning the Knob Control



Button








LEDs



Knob

5.1 Knob Control Overview

Knob Control	Icon	Effects	Function
Turn On and Set Up		Light On/Flashes	Operation Starts/ Setup
		Light Off	Sleeping Mode
Run Time		Set the knob to 1h / 1.5h / 2h / Max	1h / 1.5h / 2h / Max
Cleaning Mode		Green LEDs On	Floor Only
		Blue LEDs On	*Full coverage
		Purple LEDs On	*Wall & Waterline first, then floor
Battery		3 LEDs On	Fully Charged
		1 LED Flashes	Low Battery
		LEDs Light Up Sequentially	Charging
Error		E1-E6	System Fault (See Troubleshooting)

* Important Cleaning Modes Explained

Wall & Waterline first, then floor

Recommended for most cleaning needs; Does not clean tanning ledges or other shallow areas.

Full coverage

Cleans Floor → Wall → Waterline to cover all areas (Includes tanning ledges); May use more power than Wall & Waterline first, then floor.

5.2 Knob Control Details

Function	Condition	Response
Turn On Press	Light on/Flashes	Wake and Start Setting
Low Battery	1 LED Flashes	< 15% Power Level Park and Stop
Turn On Press and Hold when Charging	Hearing a Tone	Reset Successfully
No Activity for 3 Minutes	LEDs Off	Sleep Mode

6 Connect to Wi-Fi

1. Enable Bluetooth and Wi-Fi on your phone.
2. Connect to a 2.4GHz Wi-Fi network with a strong signal.
3. Turn the power switch ON. When the knob LEDs flashes, the device is ready to pair.
4. Search and connect device in the "iGarden Robotics" APP.
5. Once the Control Panel lights up, the Wi-Fi is set.

Scan the QR Code below to download:



Notes:

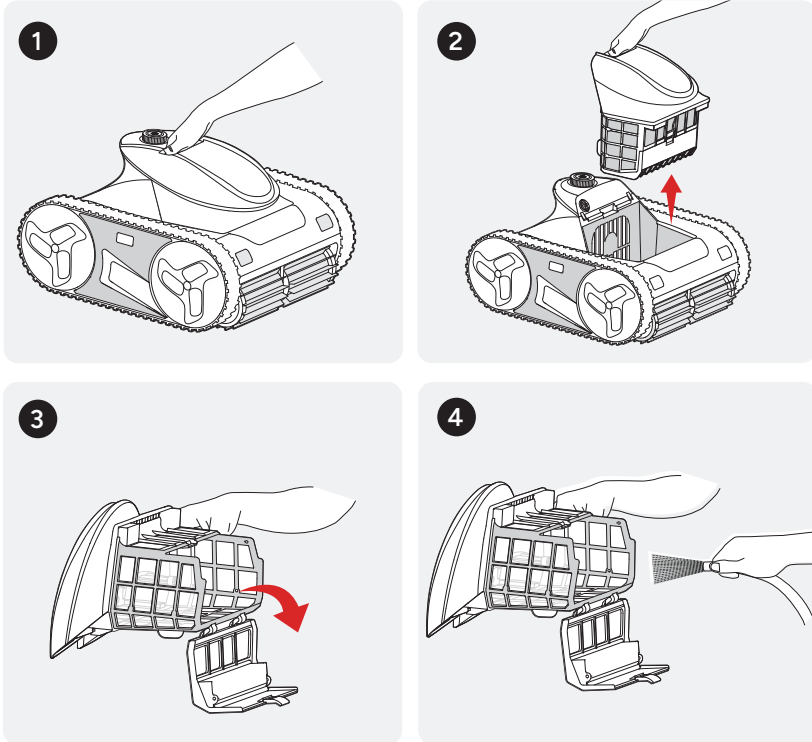
APP functions are unavailable while the robot is in the pool due to signal interference.

App control is available via 2.4G Wi-Fi (5G Wi-Fi not supported) or Bluetooth.

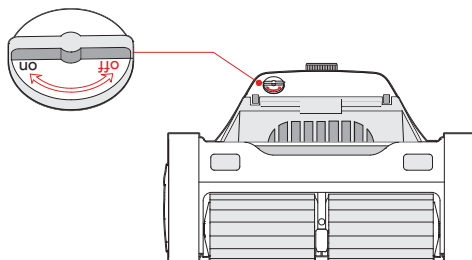
7 Care and Cleaning

7.1 Filter Box

- Clean after each cycle: rinse, reinsert.
- Deep clean with mild acid detergent wearing protective gloves.



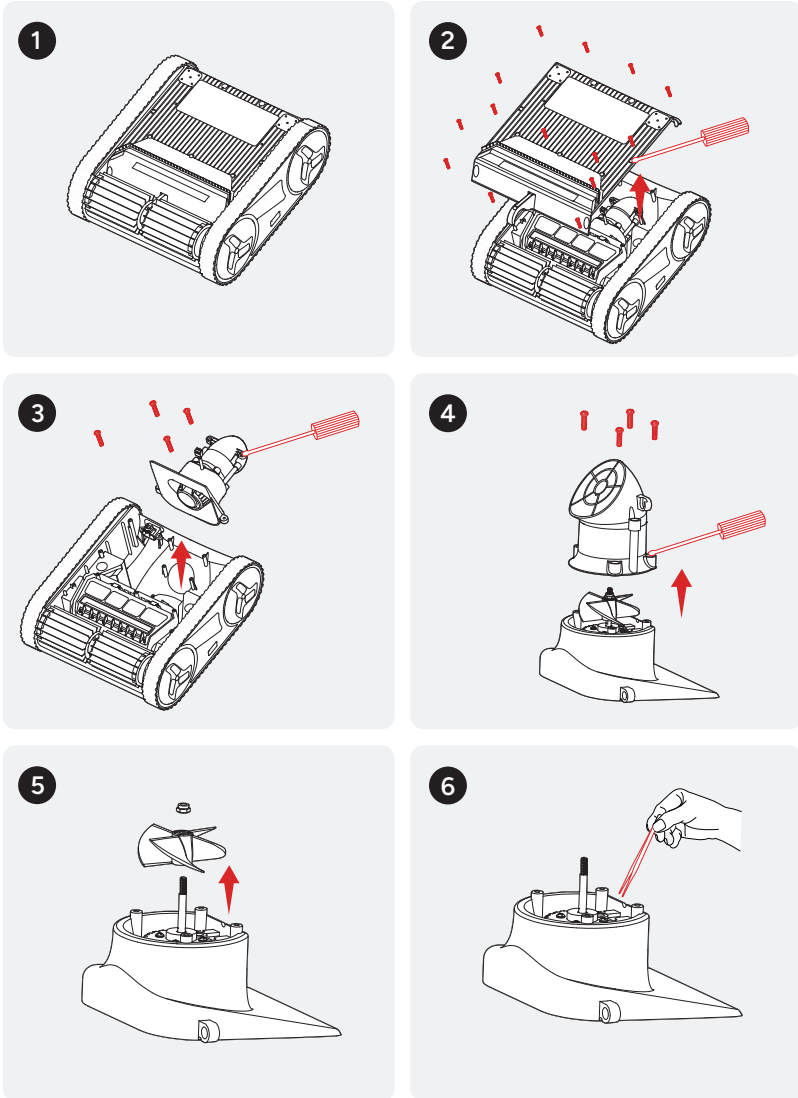
7.2 Impeller



-
- Turn the power switch OFF and unplug.
 - Flip the cleaner to unscrew and remove the back cover.
 - Take out the impeller in gloves to clean debris.

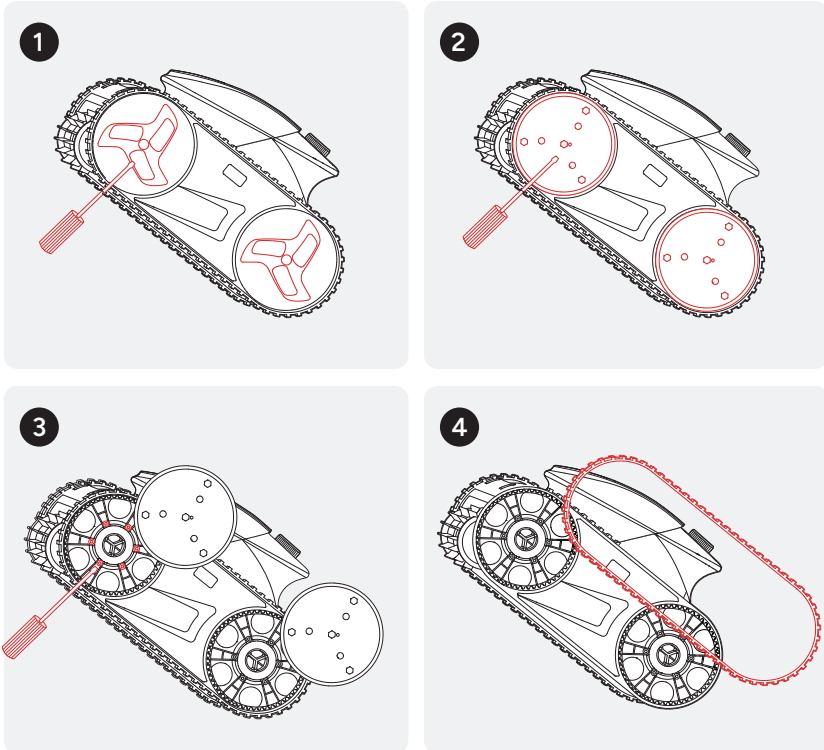
💡 **Notes:**

Contact us for assistance when you encounter difficulties.



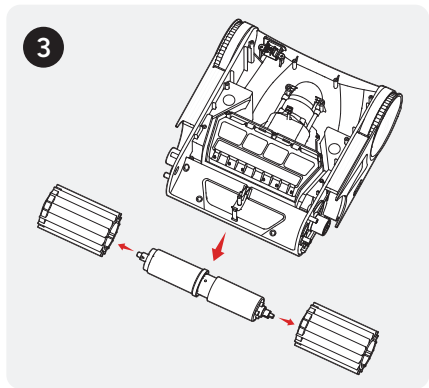
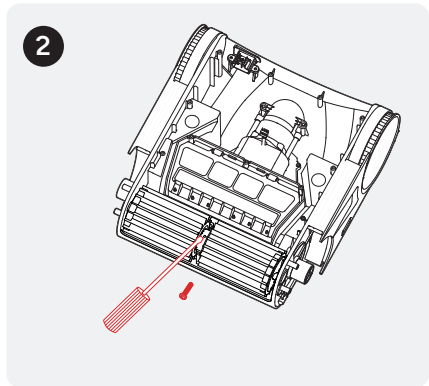
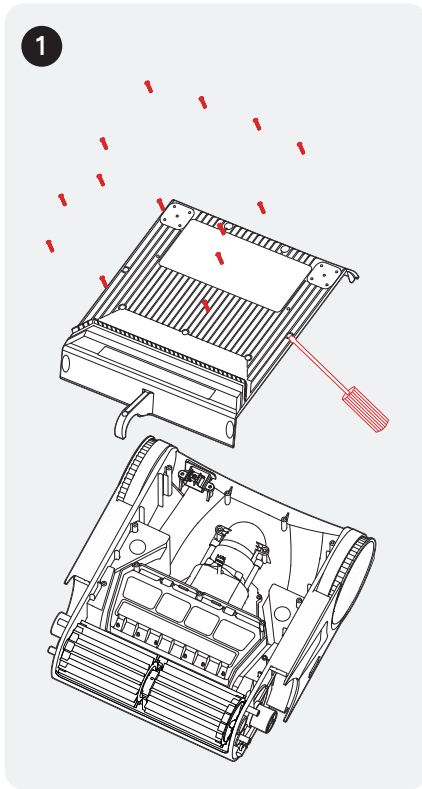
7.3 Caterpillar Track

- Pry out the hub cover gently.
- Unscrew and remove the worn caterpillar track.
- Replace it with new caterpillar track and screw them back.



7.4 Roller Brush



- Unscrew tires and remove back cover.
- Unscrew the roller brush from the middle and replace them with new brushes.



8 Troubleshooting

Problem	Cause	Solution
Charging failure	Debris on the charging cable	Clean debris
	Charging cable damage	Replace charging cable
Startup failure	Invalid "Turn On" setting	Hold Turn On for 3s
	Power Switch off	Switch ON
	Low battery level	Fully charge

No Movement/ Pump	Out of water	Submerge fully until seeing the indicator light on
	Filter box full	Clean the box
	Low battery level	Fully charge
Moving but not pumping	Inlet clogged	Clean the inlet
	Low battery level	Fully charge
	Filter box full	Clean the box
	Impeller Stuck	Clean debris in OFF state
Pumping but not moving	Filter box full	Clean the box
	Obstacles blockage. Stop for protection setup	Clean the obstacles and restart the cleaner
	Roller brush stuck	Clean roller brush
	Motion motor stuck	Contact us for motor replacement
Not climbing	Inlet clogged	Clean the inlet
	Impeller Stuck	Clean debris in OFF state
	Filter box full	Clean the box
Poor cleaning	Impeller Stuck	Clean debris in OFF state
	Filter box full	Clean the box
	Inlet clogged	Clean the inlet
	Roller brush stuck	Clean roller brush
	Low battery level	Fully charge
	Worn filter net	Replace filter net
Abnormal operation	Software glitch	Restart the cleaner
Error Indicator	E1- E6	Restart the cleaner. If the issue persists, contact us.

Error Indicator	E1-E6	Meaning
	E1	Not move left
	E2	Not move right
	E3	Not pump water
	E4	Water outlet sensor error
	E5	Infrared sensor error
	E6	IMU error

9 Cleaner Specifications

Model	KN35	KN55
Mode: Floor Mode		
Battery Life	3.5h	5.5h
Charging Time	Approx. 3h	Approx. 6h
Charging Mode	2A	2A
Battery Capacity	5Ah (127Wh)	10Ah (255.5Wh)
Maximum Pool Size	6*10m	6*12m
Optimal Pool Temperature	4~35°C /39.2~95 °F	
Cleaning Mode	Floor Only; Wall & Wallterline first, then floor; Full coverage	
Multiple Cycle optional	1h/1.5h/2h/Max	
APP Application	YES	
Filter capacity	3.2L	
Filtration Accuracy	180 μm	
Pump Flow Rate	10-17m ³ /h	12-18m ³ /h
Running Power	20-100W	
Moving Speed	10-12m/min	
Number of Motors	3	
Charger Input	100-240VAC~50/60Hz	
Running Voltage/Current	25.5V (1A)	
Robot NW/GW	8.1kg/12.9kg	
Product Dimensions (L*W*H)	423*385*242 mm	
Package Dimensions(L*W*H)	504*450*300 mm	

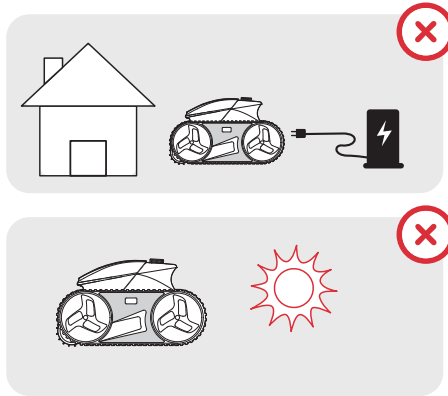
💡 Notes:

Tested in a pristine 3 x 8m rectangular pool under controlled lab conditions. Actual battery life may vary with pool shape, size, and water quality. The manufacturer reserves the right to modify the above parameters without prior notice.

10 Regulatory & Compliance

Indoor Charging Only

Charge the cleaner indoors in a dry area away from direct sunlight.



Recycle and Disposal

The unit contains a lithium-ion battery. Recycle batteries at qualified facilities.

Recycling batteries benefits the environment and public health. Do not disassemble or dispose of batteries in household trash or municipal recycling bins.

For complete regulatory statements (FCC Caution, FCC Statement, IC Statement) and manufacturer information, visit: <https://store.igarden.ai/pages/warranty-policy>



Situations Not Covered by Warranty

- Failure to comply with the instructions.
- Product damage caused by misuse or any reason other than manufacturer defects.
- Damage caused by cleaning and maintenance performed by unauthorized third parties.
- Batteries damaged by unauthorized third parties.
- Overcharging the battery using a non-specified input power cable.
- Using non-specified accessories that cause the product to malfunction.

11 Warranty

Full Unit (motor,battery,electronics): 2 years

Consumables (brushes, baskets, filters, tracks): 6 months

For Australia market

Our goods come with guarantees that cannot be excluded under the Australian Consumer Law. You are entitled to a replacement or refund for a major failure and compensation for any other reasonably foreseeable loss or damage. You are also entitled to have the goods repaired or replaced if the goods fail to be of acceptable quality and the failure does not amount to a major failure.

For complete warranty terms—including exclusions, service process, and limitations—please visit:
<https://store.igarden.ai/pages/warranty-policy>

12 Support



Email: support@igarden.ai (AU & US)
support.eu@igarden.ai (EU)



Official Website: www.igarden.ai



Facebook: iGarden



Toll Free(US): +1(888)880-3320
Toll-free(AU): (+61)1800-716-885



Scan the QR code to get quick support

- Watch How-to Videos
- Read FAQ & Troubleshooting
- Activate Your Warranty
- Claim an Express Return

© 2025 iGarden All rights reserved.

Full legal terms and updated specs: <https://store.igarden.ai/pages/warranty-policy>

iGarden

 www.igarden.ai

Version: KN-Manual-V0 (EN)

Thank you for choosing our Cordless Robotic Pool Cleaner.