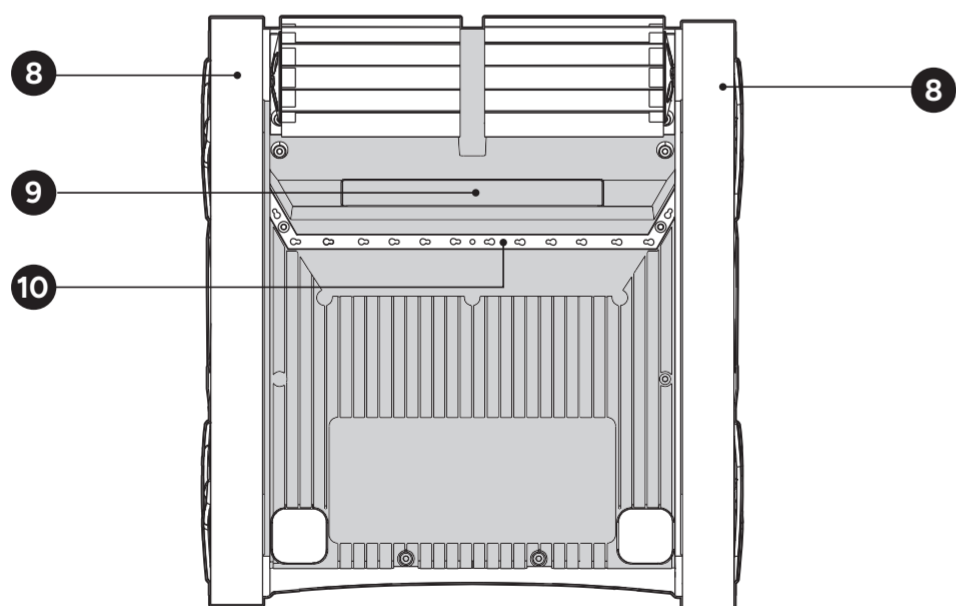
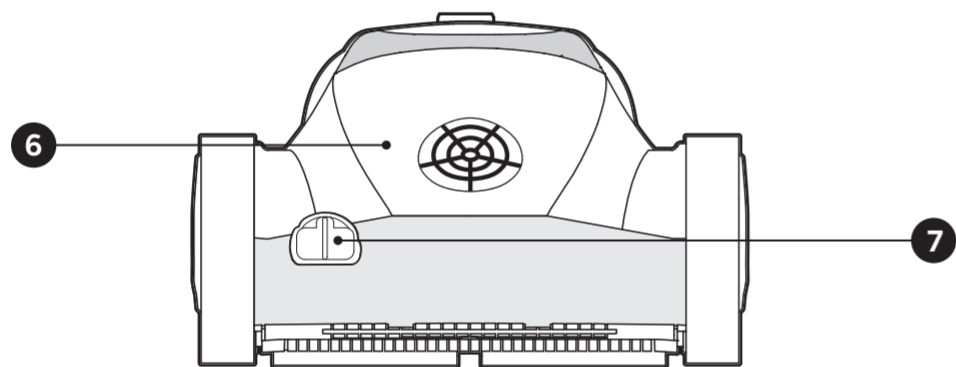
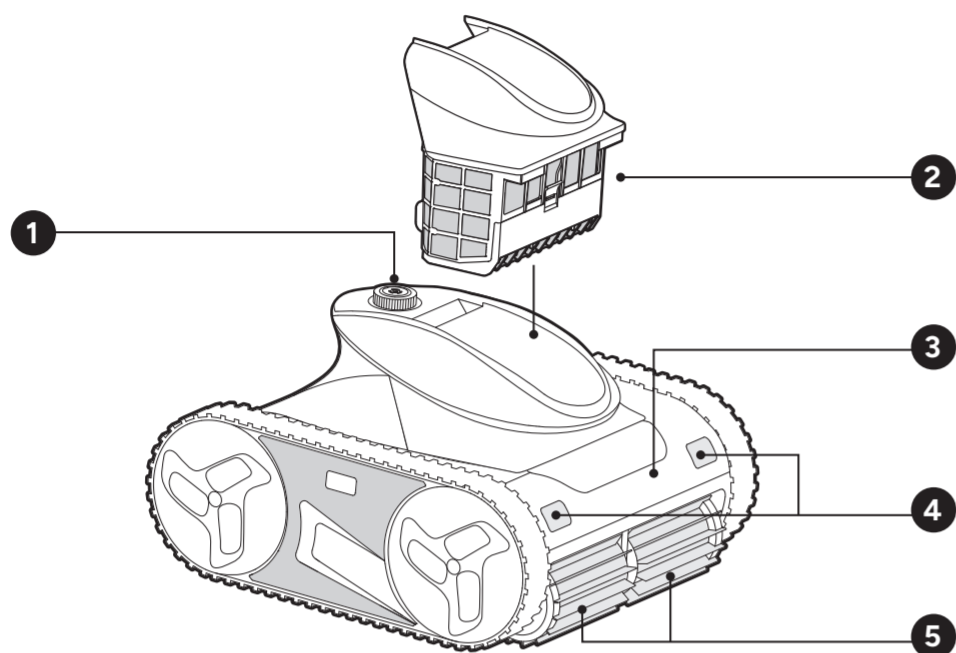
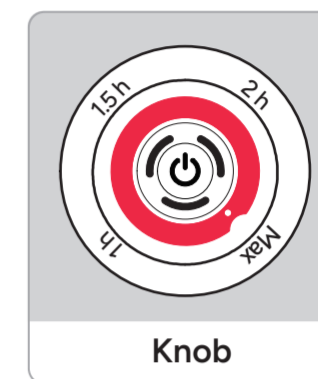
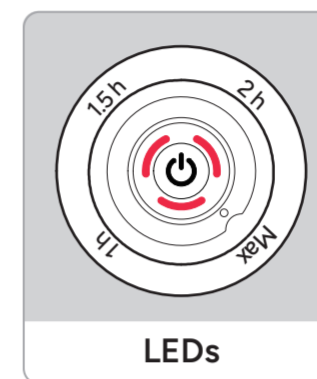
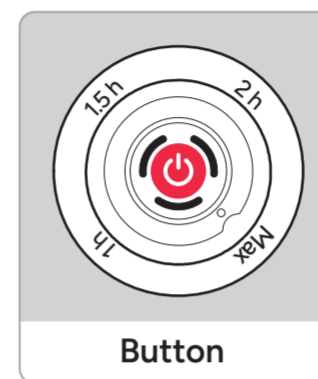


1. Product Overview



- 1 Knob
- 2 Filter Basket
- 3 Handle
- 4 Front Infrared Sensor
- 5 Brush
- 6 Water Outlet
- 7 Charging Port
- 8 Caterpillar Track
- 9 Suction Port
- 10 Scraper

2. Control Panel



Knob Control	Meaning	Operation
Button	Turn On / Set Up	Press the button to turn on & Set up
Knob	Run Time	Turn the knob to 1h / 1.5h / 2h / Max
LEDs	Selected Cleaning Mode	Green LEDs On = Floor only; *Blue LEDs On = Full coverage; *Purple LEDs On = Wall & Waterline first, then floor;
	*Error	See Troubleshooting
	*Battery 100% / Low Battery/ Charging	3 LEDs On / 1 LED Flashing / Light Up Sequentially

*Important Cleaning Modes Explained

Wall & Waterline first, then floor

Recommended for most cleaning needs; Does not clean tanning ledges or other shallow areas.

Full coverage

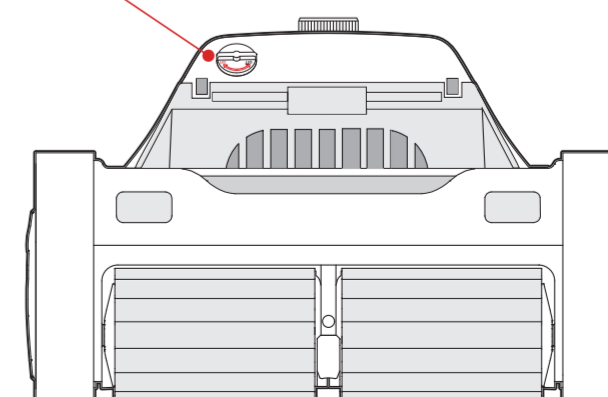
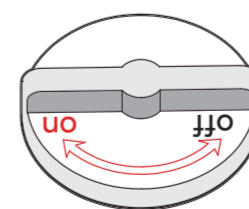
Cleans Floor → Wall → Waterline to cover all areas (Includes tanning ledges); May use more power than Wall & Waterline first, then floor.

3. Turn On & Charge

Turn on

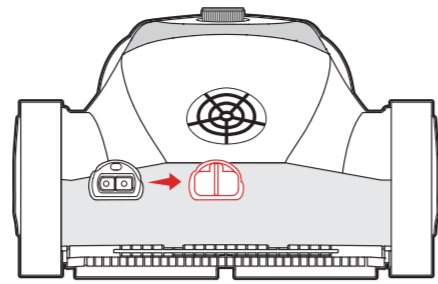
Remove the filter basket by lifting its hand.

See power switch at the front and turn it **ON**.

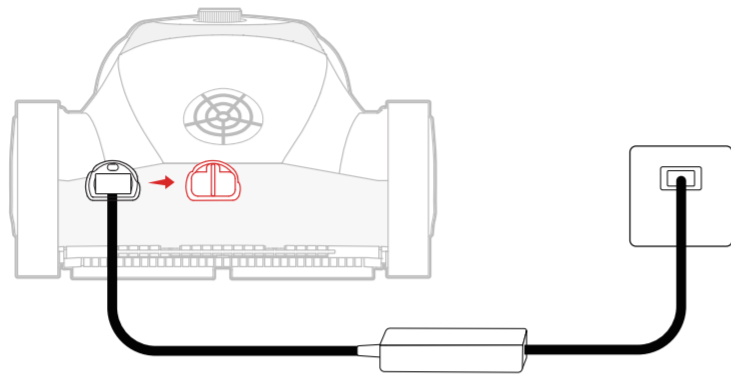


Charge

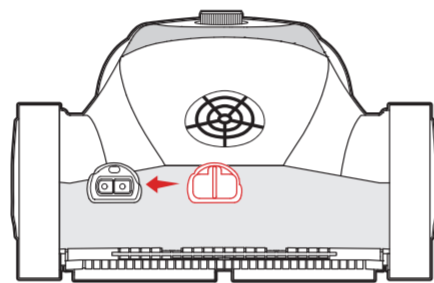
1. Remove charging port cover.



2. Plug in the supplied charger to 100–240 VAC.
(The plug for the Australian market is Type I - 3 pins)



3. Three LEDs On = fully charged.

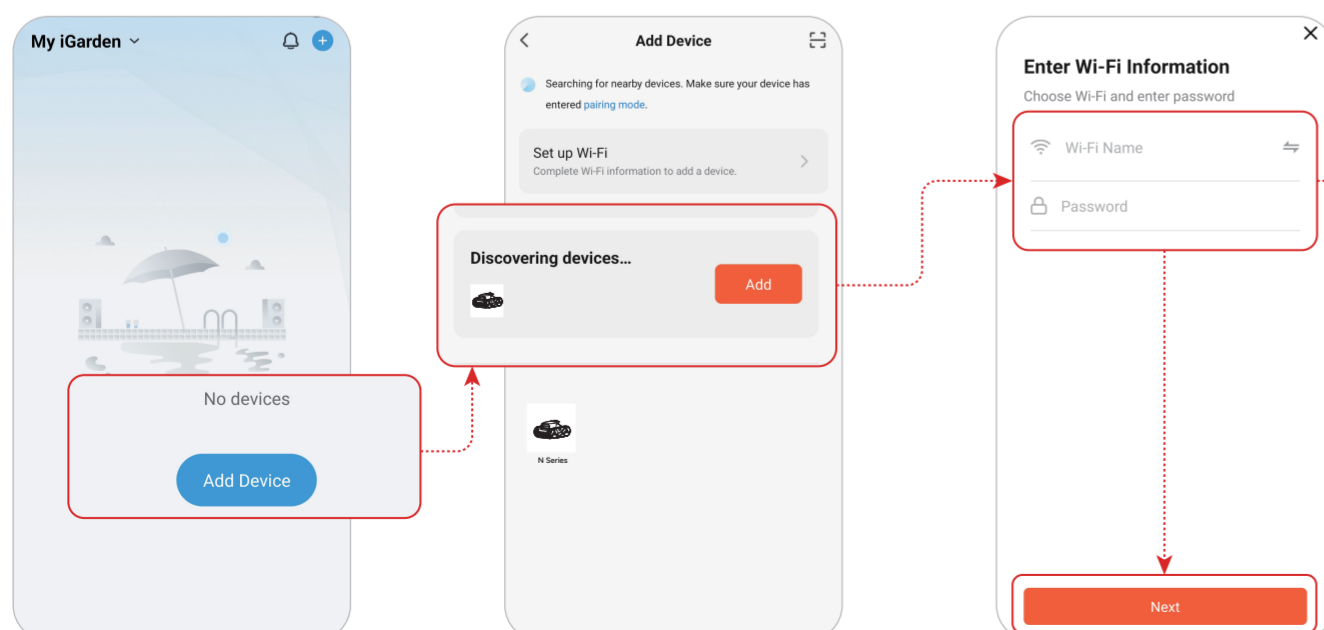


4. Disconnect and close the cover.

4. Connect To Wi-Fi

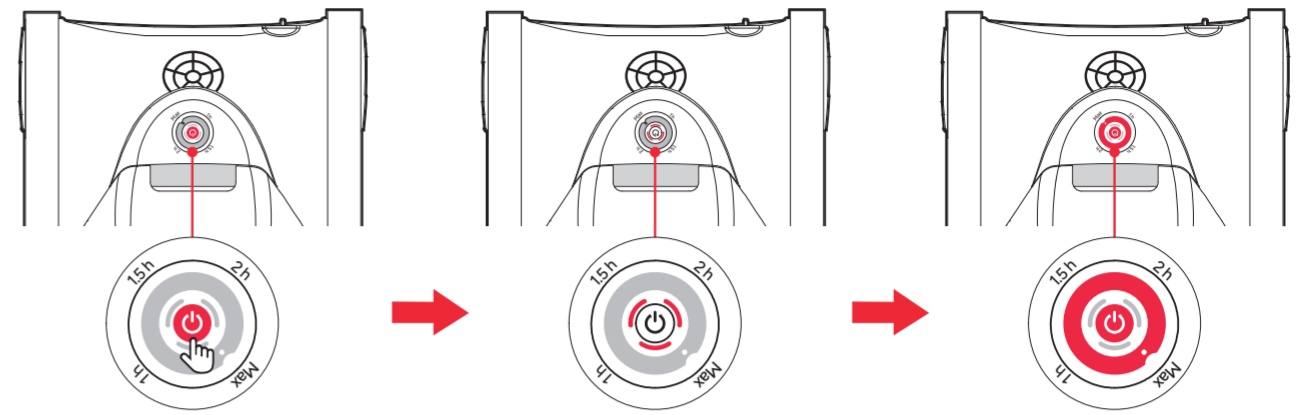
1. Enable Bluetooth & WiFi on your phone.
2. Connect to a 2.4G Wi-Fi (5G Wi-Fi not supported) or Bluetooth.
3. Turn the power switch ON. When the knob LEDs flashes, the device is ready to pair.
4. Search and connect device in the "iGarden Robotics" APP.
5. Once the Control Panel shows up, the Wi-Fi is set.

Scanning QR Code below to download:



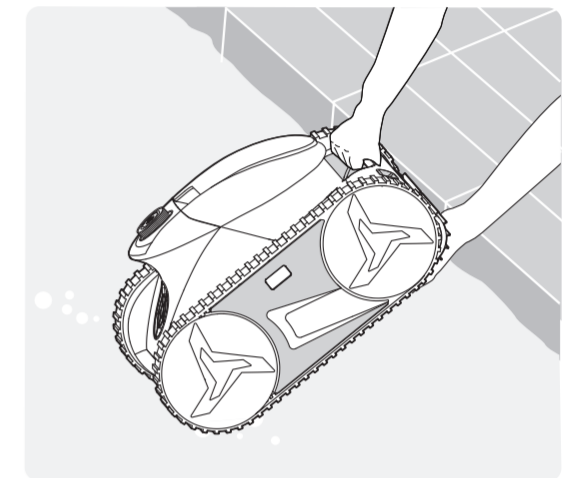
5. Quick Start

1. Go: Press the Knob Button to turn on. Knob LEDs flash—set up.



Note: Press and hold the Knob Button for 3 s if LEDs are off.

2. Place the robot in water, hold it and rotate the cleaner to let the air escape.



3. Submerge the cleaner within 3 minutes when power-on.

Warnings

- Do not swim during operation.
- Charge only with the supplied adapter & battery.
- Our goods come with guarantees that cannot be excluded under the Australian Consumer Law. You are entitled to a replacement or refund for a major failure and compensation for any other reasonably foreseeable loss or damage. You are also entitled to have the goods repaired or replaced if the goods fail to be of acceptable quality and the failure does not amount to a major failure.

Support

✉ support@igarden.ai (AU & US)
support.eu@igarden.ai (EU)

☎ Toll-free(US): (+1) 888-880-3320
Toll-free(AU): (+61)1800-716-885

🌐 www.igarden.ai

See the full guide inside the box for detailed instructions.

